



Methane Leak Detection

LaserMethane

1. Lightning Fast Detection - Save Time and Money
2. Small and Light - No extra black boxes
3. Long range - 150m - 490ft maximum
4. Sees through glass - From vehicle - into building
5. Self test/Calibrate - No need for user set-up

LaserMethane is a portable methane detection device, which revolutionises the way leaks can be detected, making gas escape monitoring safer, quicker and more effective.

Remote Measurement and Detection

- Operate from a safe area
- No need to contact gas
- Monitor elevated or hard to reach areas

Methane Selectivity

- Only responds to methane
- Accurate measurement and detection
- Responds to methane when other gases are present

Portable

- Convenient video camera style strap
- Single gun unit needs no separate black box or battery
- Lightweight and compact design

High Speed and Sensitivity

- Response as fast as 0.1 seconds
- 20 times faster than FID technology

User Friendly

- LCD option displays recent readings in graph format
- Simple LED output for any methane detection
- 2 models available SA3C06A and SA3C05A
 - SA3C06A has full LCD and graph display

Datalogging - on SA3C06A Version

- Built-in memory for data storage
- SD memory card available

Methane Leak Detection

LaserMethane

Specification

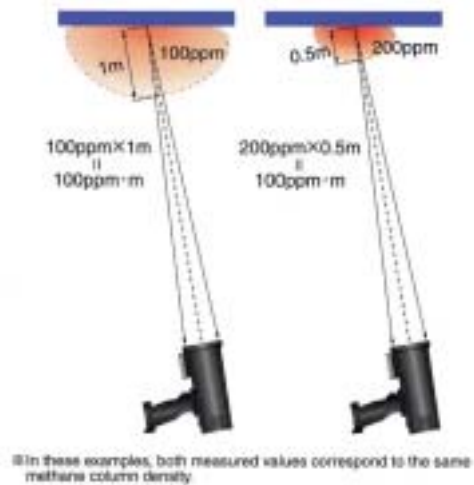
Weight	1.35kg (3lbs)
Dimensions	112 x 250 x 248mm (4.4 x 9.8 x 9.8in)
Target Gas	Methane only
Detection method	Infra-red absorption spectrophotometry
Detection distance	Up to 30m standard mode Up to 150m in reflect mode
Detection Speed	0.1 seconds
Detectable limits	100 – 10,000ppm-m (SA3C05A model) 10 - 10,000ppm-m (SA3C06A model)
Audible Alarm	Volume adjustable buzzer Earphone output
Visual Alarm	Alarm LED as standard LCD with SA3C06A model
Operation	Trigger for measurement with lock lever Simple 4 button operation
Battery	Ni-MH - 2 per kit
Operating time	3 hrs (2 x 1.5 hr battery)
Operating temperature	0° - 40°C (32° - 104°F)
Operating humidity	20 – 90% rh non-condensing
Explosion proof	Not certified
IP rating	IP64 (conforms to IEC529 and JIS C0920)
Laser safety rating	IEC60825-1 (JIS C6802) 21 CFR 1040.10 and 1040.11 Monitor beam: Class 2 laser Measuring beam: Class 1 laser NEVER LOOK INTO THE LASER BEAM
Operational standards	EN61000-6-4:2001 EN61000-6-2:1999
Accessories	Spare battery pack Battery charger Protective cap Soft case Ear phone Hand strap Shoulder strap

- Instructions for use:**
1. Never point this detector towards the sun
 2. Never look into the laser beam
 3. Do not use in a hazardous area of any zone or class.

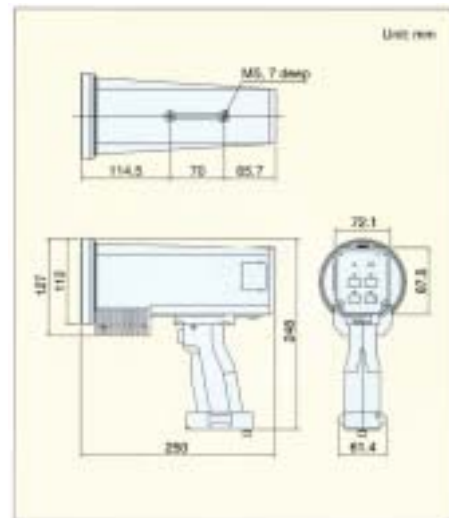
LaserMethane is co-developed by Tokyo Gas Co. Ltd., Tokyo Gas Engineering Co., Ltd. and ANRITSU CORPORATION

Developed by Tokyo Gas Engineering Co., Ltd., 4F Nissay Aroma Square, 5-37-1, Kamata, Ota-ku, Tokyo, 144-8721, Japan

Manufactured by ANRITSU CORPORATION 5-1-1, Onna, Atsugi-shi, Kanagawa, 243-8555, Japan



Dimensions



Back Panels



SA3C05A



SA3C06A

Labels

