

M2 MULTI-MOLD™ CASSETTE

2 FROM 1 COLLECTS TWO SAMPLES IN ONE CASSETTE

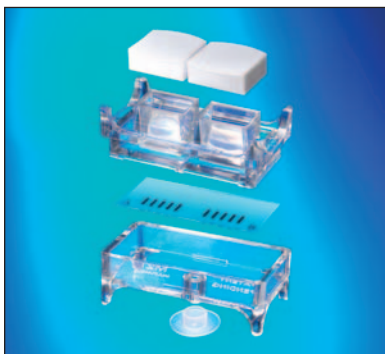


**THE NEW
GENERATION OF
MOLD SPORE
COLLECTION HAS ARRIVED!**

The M2 is a disposable air sampling cassette for IAQ (Indoor Air Quality) sampling and analysis, including home, commercial, inspection, and restoration, as well as remediation operations.



The M2 operates in accordance with well-established fluid/air dynamic principles. It uses standard pump and calibration equipment, and the collected samples undergo routine laboratory preparation and quantification procedures.



Patents pending

M2 MULTI-MOLD™ CASSETTE

The M2 is a patent-pending two-sided sampling cassette for easier and more efficient use in the field and in the laboratory. This is the first cassette to provide sampling options to field personnel.

Each cassette can be used to:

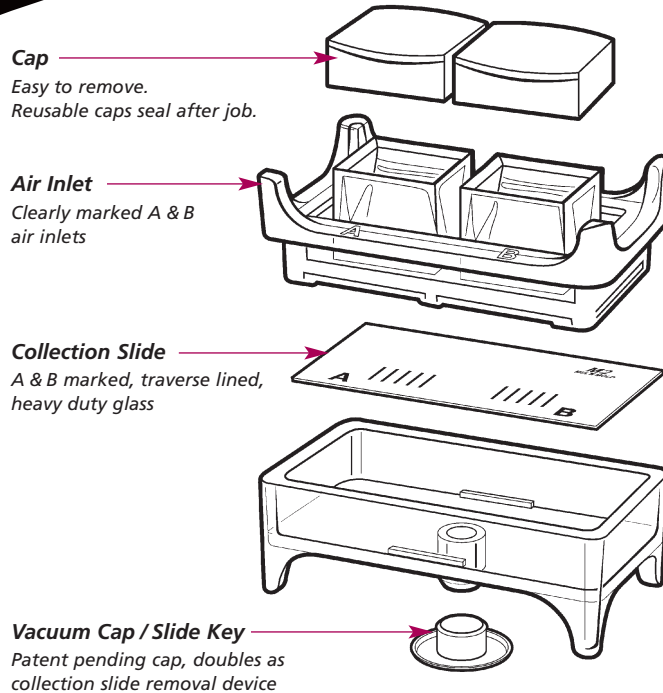
- Collect two different samples
- Collect two identical samples concurrently
- Collect one sample while using the other side as a control



Flat surface for easy recording

The M2 Cassette is also the very first of its kind for laboratory personnel. It provides one-time preparation for two samples, pre-printed traverse marks on the collection slide for standardized counting, and side-by-side comparison of the samples under the microscope.

Part No. 9804-20 M2 Multi-Mold Cassette Box of 25 Cassettes/50 Samples



Vacuum port fits standard size tubing



Operates with standard area sampling pumps

HOW THE M2 OPERATES

The M2 incorporates standard impact design characteristics, including a rectangular air inlet and exit slit. The cassette houses an appropriately positioned collection plate with a laboratory-accepted proprietary adhesive media. Its characteristics are determined by a numerical solution of the Navier-Stokes equations, and of the equation of motion of particles, (DJ Rader and BA Marple, 1995, Aerosol Science & Technology 4:141-156).

The cassette operates at an optimal flow rate of 15 liters per minute for 10 minutes, 5 minutes, or 1 minute, depending on the environment, and it can be used with commercially available wall sampling adaptors.

Air particles are deposited onto the adhesive over a rectangular-shaped area of approximately 16 square millimeters. The Multi-Mold Cassette is a one-of-a-kind, unique collection device, and is definitely the new generation for particle collection in the 21st century.

M2 was developed by Innovative Sampling Solutions, a corporation comprised of technical professionals. The cassette has undergone extensive field and laboratory evaluation with remarkable results.